

ILLUSTRATED PARTS MANUAL
for
TALKING VIEW-MASTER PROJECTOR



GAF Corporation | Portland
Consumer Photo Division | Oregon



HOW TO USE THE ILLUSTRATED PARTS MANUAL

USING THE PARTS LIST

This parts manual includes all variable and common parts. Indented numbers in the parts list heading are used to indicate assemblies and component parts of assemblies. Number 1 is the major assembly. Part descriptions which are indicated under 2, 3 and 4 are components of the major assembly shown above.

If the part description has a symbol (a)* be sure to read the footnote which will have important information affecting the specific part.

PRICE LIST

The service parts price list is a separate book which contains prices of service parts for all parts Manuals. This price list is in numerical order by part number. The correct list price can be obtained by first finding the part number in any of the parts manuals and then locating the same number in the price list.

SUPPLEMENTS AND REVISIONS

Supplementary pages may be added to this manual at later dates and must be filed in the proper location by page number, revision number and date. Changes on these pages will be noted by use of "R" and the revision number (EXAMPLE: R3).

CODE NUMBER IDENTIFICATION

A 3/8" diameter white sticker in all projectors identifies each projector by a code number representing the week of manufacture (refer to Manufacturing Calendar.) The code number may also be used to determine warranty periods. Sticker locations:

- (1) 2 x 2 projectors – inside projector under the access cover.
- (2) 8MM projectors – on film path assembly under movement housing.
- (3) 447 series 2 x 2 projectors – inside cord storage compartment at the top.

ORDERING PARTS

To order repair parts use the item numbers on the exploded views to locate the part in the parts list. Always order by part number and name, and order carefully in order to get the correct part for the model you are working on, assuring a match of color, parts and trim. (Please include projector code number for unit identification when ordering parts.) Order replacement parts from Consumer Photo Division, GAF Corporation, P.O. Box 490. Portland, Oregon 97207. All parts shipped f.o.b. Portland, Oregon.

INDEX

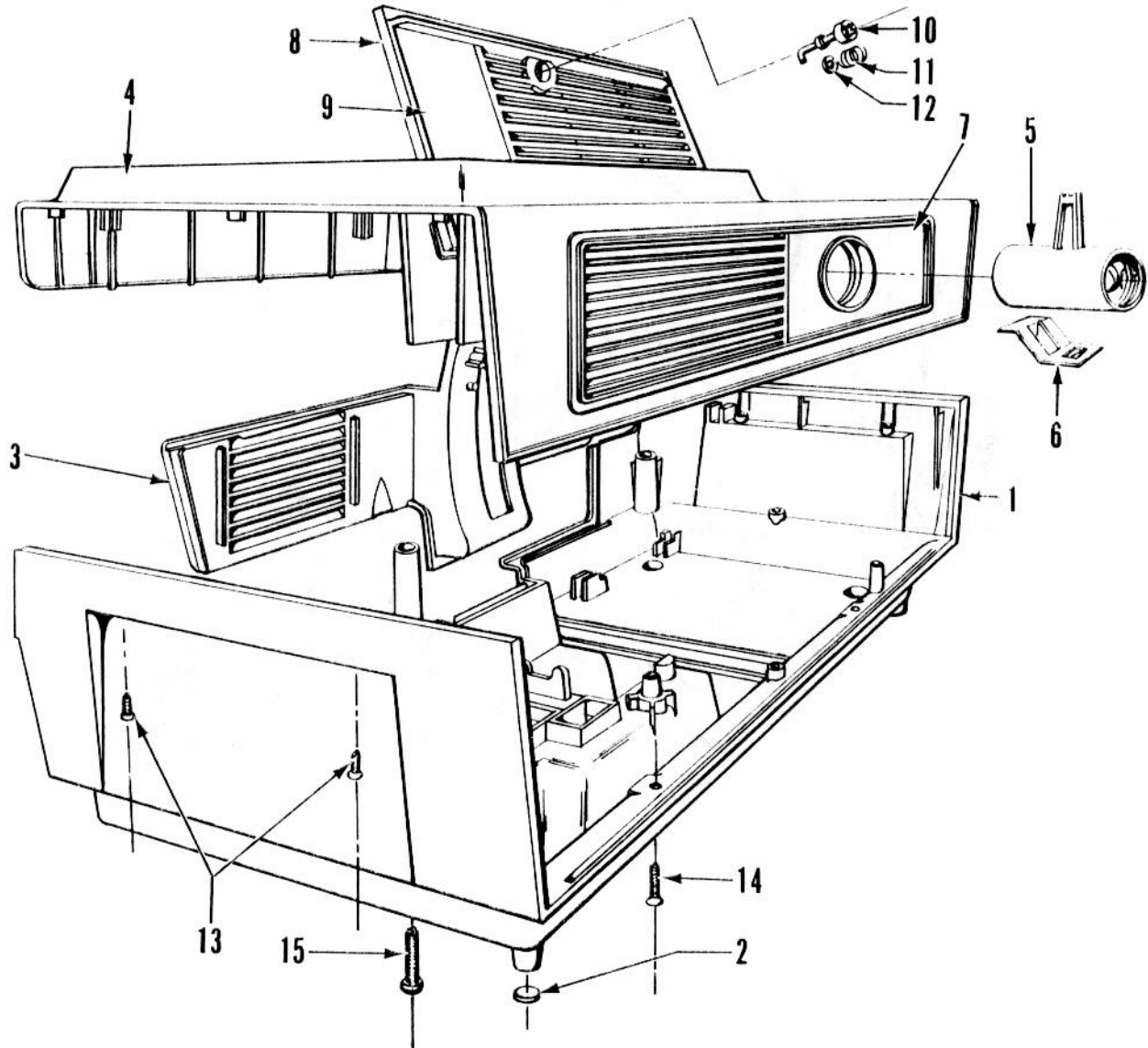
HOUSING ASSEMBLY 1

MECHANISM PLATE ASSEMBLY..... 2

MOTOR AND BLOWER SYSTEM..... 3

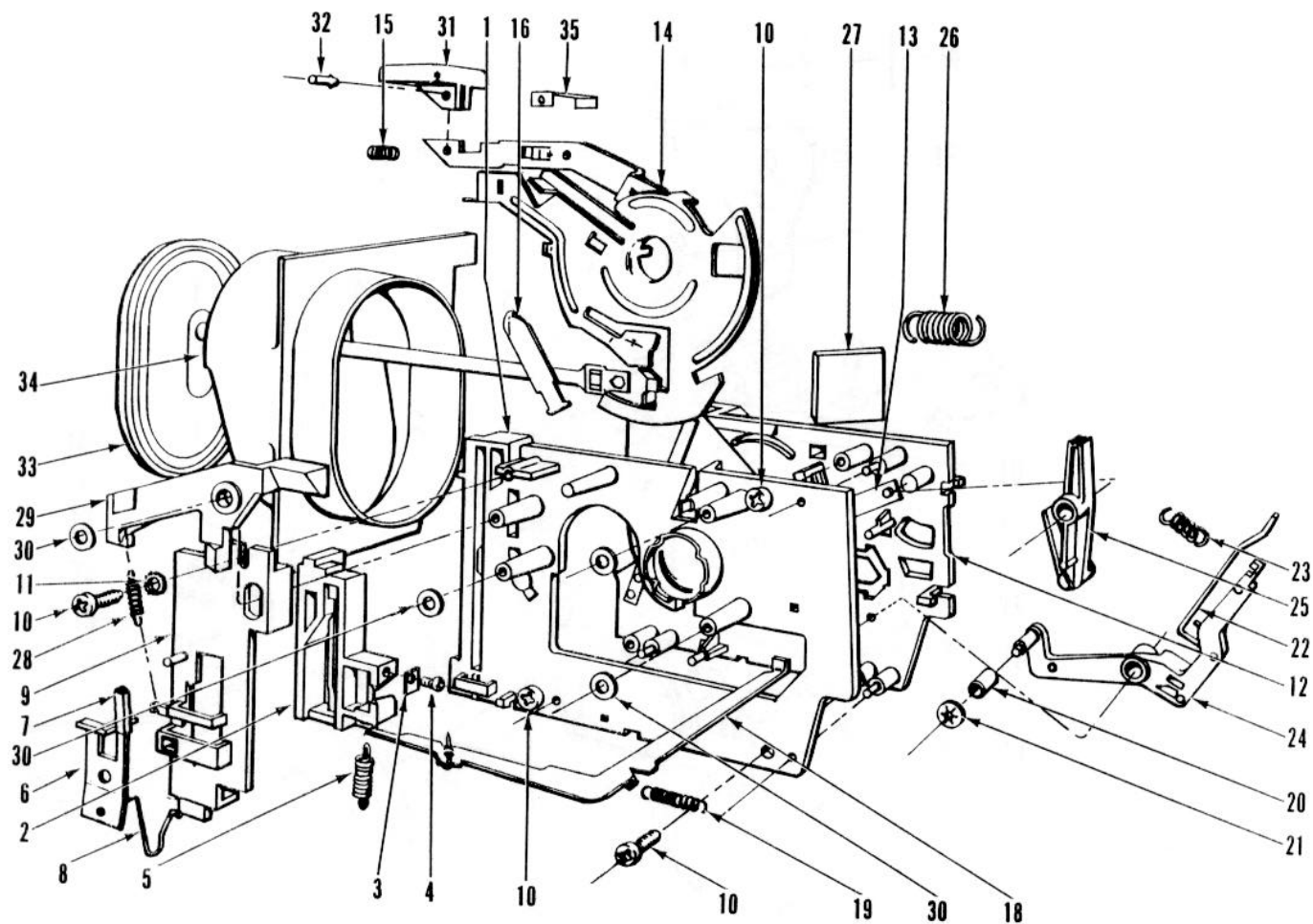


HOUSING ASSEMBLY



| Item | Part No. | Description | Item | Part No. | Description |
|------|----------|--------------------|------|----------|--------------------------------|
| | | 1 2 3 4 | | | 1 2 3 4 |
| 1 | 461-502 | Base Assembly | 7 | 461-818 | Nameplate Front |
| 2 | 581-308 | Foot Rubber | 8 | 099-022 | Door Assembly |
| 3 | 461-513 | Louver Assy - Rear | 9 | 461-817 | Nameplate - Top |
| | 501-251 | Screw 4-24 x 5/16 | 10 | 461-816 | Fastener - Door |
| | 520-003 | Washer - Flat | 11 | 461-612 | Spring |
| | 461-426 | Separator - Shift | 12 | 590-108 | Washer |
| 4 | 099-023 | Cover Assembly | 13 | 601-242 | Screw - 4-24x9/16 |
| 5 | 461-518 | Lens Assembly | 14 | 501-279 | Screw - 6-20x5/8 |
| 6 | 461-112 | Spring -Lens | 15 | 501-278 | Screw - 8-18x1-1/4 (bolt head) |

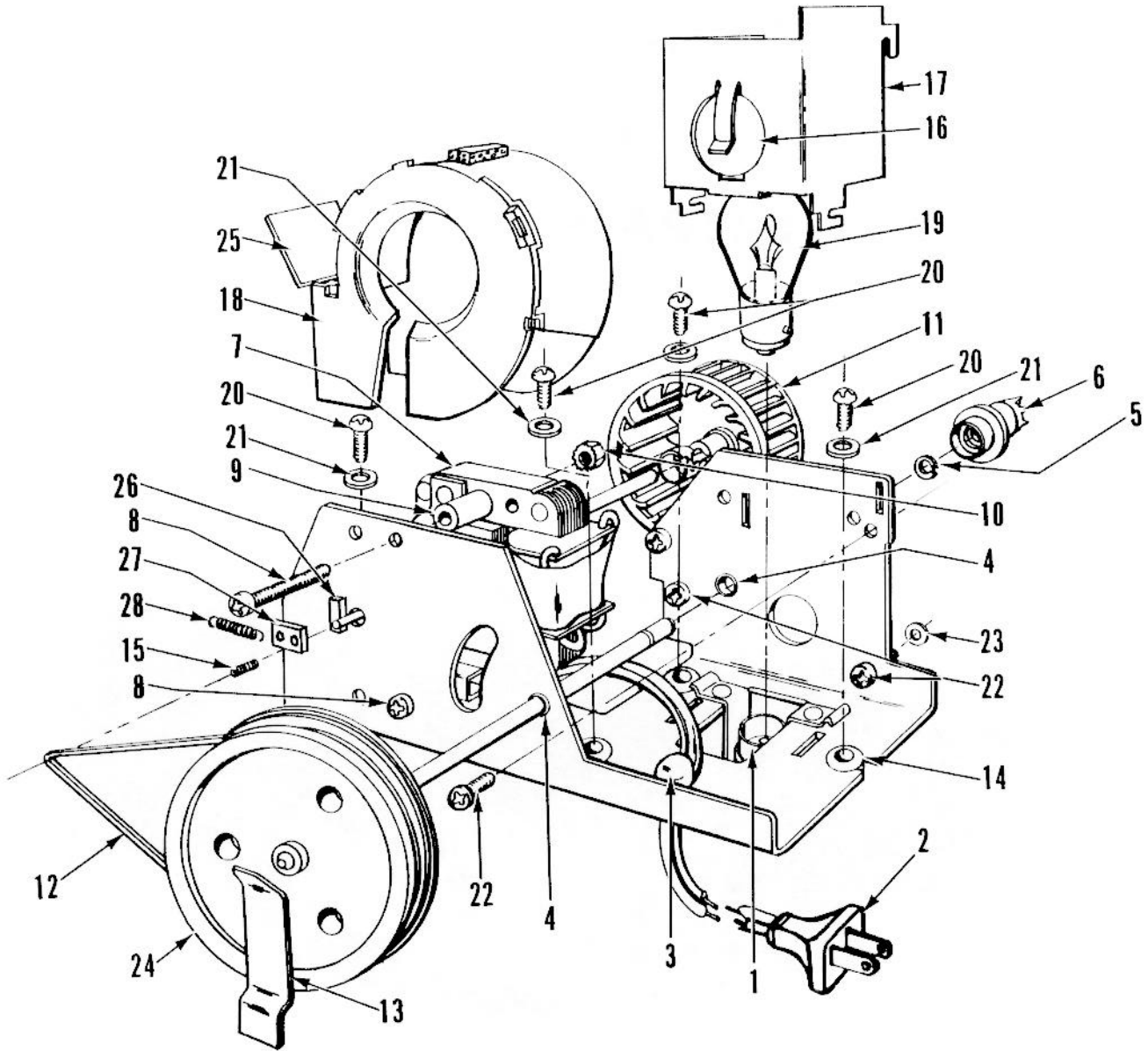
MECHANISM PLATE ASSEMBLY



| Item | Part No. | Description | | | |
|------|----------|-------------------------|---|---|---|
| | | 1 | 2 | 3 | 4 |
| 1 | 461-507 | Plate Assy. – Complete | | | |
| 2 | 461-508 | Plate Assy. - Condenser | | | |
| 3 | 461-408 | Rack=Advance | | | |
| 4 | 445-124 | Stop-Motor Frame | | | |
| 5 | 501-219 | Screw-2-32x3/16 | | | |
| 6 | 445-603 | Spring-Extension | | | |
| 7 | 461-105 | Pawl-Slide | | | |
| 8 | 461-701 | Sleeve-Pawl | | | |
| 9 | 461-607 | Spring-Pawl | | | |
| 10 | 461-409 | Housing-Rack | | | |
| 11 | 501-255 | Screw-6-20x7/16 | | | |
| 12 | 521-017 | Lockwasher-No. 6 Ext. | | | |
| 13 | 461-509 | Plate Assy. Mirror | | | |
| 14 | 461-110 | Spring-Upper Reel Lock | | | |
| 15 | 461-511 | Plate Assy. -Lever | | | |
| 16 | 445-602 | Spring-Compression | | | |
| 17 | 166-111 | Spring-Reel Lock | | | |
| 18 | 461-109 | Pivot-Tone Arm | | | |

| Item | Part No. | Description | | | |
|------|----------|-------------------------|---|---|---|
| | | 1 | 2 | 3 | 4 |
| 18 | 461-512 | Arm Assy.-Tone | | | |
| 19 | 461-601 | Spring-Tone Arm | | | |
| 20 | 461-202 | Roller-Replay | | | |
| 21 | 590-109 | Pushnut | | | |
| 22 | 461-611 | Wire-Reset | | | |
| 23 | 445-603 | Spring-Extension | | | |
| 24 | 461-410 | Lever-Replay | | | |
| 25 | 461-411 | Knob-Replay | | | |
| 26 | 461-619 | Spring-Lever Plate | | | |
| 27 | 461-807 | Mirror | | | |
| 28 | 461-603 | Spring-Clutch Arm, Ext. | | | |
| 29 | 461-419 | Arm-Clutch | | | |
| 30 | 620-102 | Washer-Steel | | | |
| 31 | 461-412 | Knob-Advance | | | |
| 32 | 591-014 | Groove Pin | | | |
| 33 | 461-614 | Speaker Assy. | | | |
| 34 | 461-416 | Plate-Speaker | | | |
| 35 | 461-115 | Clip | | | |

MOTOR AND BLOWER SYSTEM



| Item | Part No. | Description | | | |
|------|----------|-----------------------|---|---|---|
| | | 1 | 2 | 3 | 4 |
| | 461-503 | Drive Assembly | | | |
| 1 | 461-803 | Lampholder Assy. | | | |
| 2 | 461-806 | Cord-Line | | | |
| 3 | 581-104 | Bushing-Strain Relief | | | |
| 4 | 461-808 | Bearing | | | |
| 5 | 590-005 | E-Ring | | | |
| 6 | 461-428 | Clutch-Drive | | | |
| 7 | 461-824 | Motor-Drive | | | |
| 8 | 500-187 | Screw-6-32x1-3/8 | | | |
| 9 | 461-203 | Spacer-Motor | | | |
| 10 | 530-002 | Nut-6-32 KEPS | | | |
| 11 | 461-802 | Wheel-Blower | | | |
| 12 | 461-820 | Belt-Drive | | | |
| 13 | 461-111 | Spring-Shaft | | | |
| 4 | 581-208 | Grommet | | | |

| Item | Part No. | Description | | | |
|------|----------|--------------------------|---|---|---|
| | | 1 | 2 | 3 | 4 |
| 15 | 461-614 | Spring-Motor | | | |
| 16 | 461-107 | Reflector | | | |
| 17 | 461-113 | Chimney | | | |
| 18 | 099-021 | Scroll-Blower (Complete) | | | |
| 19 | 575-055 | Lamp-BMG | | | |
| 20 | 501-272 | Screw-8-18x1/2 | | | |
| 21 | 620-061 | Washer-Steel | | | |
| 22 | 501-255 | Screw-2-20x7/16 | | | |
| 23 | 520-102 | Washer-Steel | | | |
| 24 | 461-505 | Pulley and Shaft | | | |
| 25 | 461-117 | Baffle-Blower | | | |
| 26 | 461-825 | Dampener-Vibration | | | |
| 27 | 461-025 | Arm | | | |
| 28 | 347-601 | Spring | | | |